

PPE1226-SVJ-BKND

PPE: PRO PATCH ENHANCED

LEAVE BLANK: DESIGNATION STRIPS INCLUDED
ND: NO DESIGNATION STRIPS INCLUDED

LEAVE BLANK: GRAY PANEL
BK: BLACK PANEL

- 1: 1 RACK UNIT (RU)
- 15: 1.5 RACK UNIT (RU)
- 2: 2 RACK UNIT (RU)
- 3: 3 RACK UNIT (RU)

- 1: 1 ROW OF JACK PORTS
- 2: 2 ROWS OF JACK PORTS
- 3: 3 ROWS OF JACK PORTS
- 4: 4 ROWS OF JACK PORTS

- 16: 16 CIRCUITS
- 20: 20 CIRCUITS
- 24: 24 CIRCUITS
- 26: 26 CIRCUITS

- SVJ: SVJ-2x
- SVJT: SVJ-2Tx
- N: SJ2000N
- G: SJ2000G
- 75N: SJ2000N-75
- 75G: SJ2000G-75
- CJ52: CJ2014N (52 JACKS)
- CJ48: CJ2014N (48 JACKS)
- CJ52T: CJ2020N-75 (52 JACKS)
- CJ48T: CJ2020N-75 (48 JACKS)
- CJ40TF: CJ2020N-75F (40 JACKS)
- CJ52TF: CJ2020N-75F (52 JACKS)
- CJ48TF: CJ2020N-75F (48 JACKS)
- CJ32TF: CJ2020N-75F (32 JACKS)

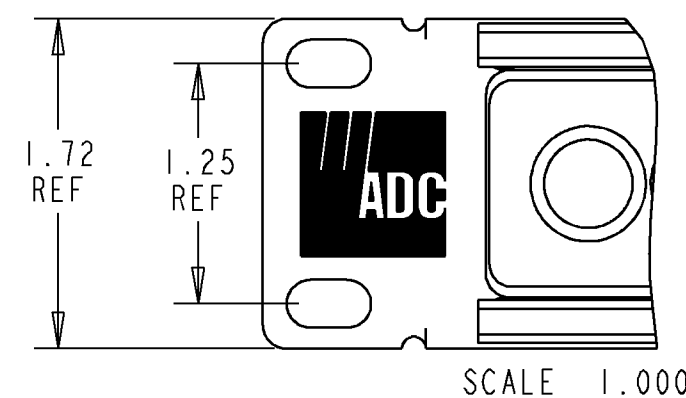
CATALOG NUMBER SCHEME

C D

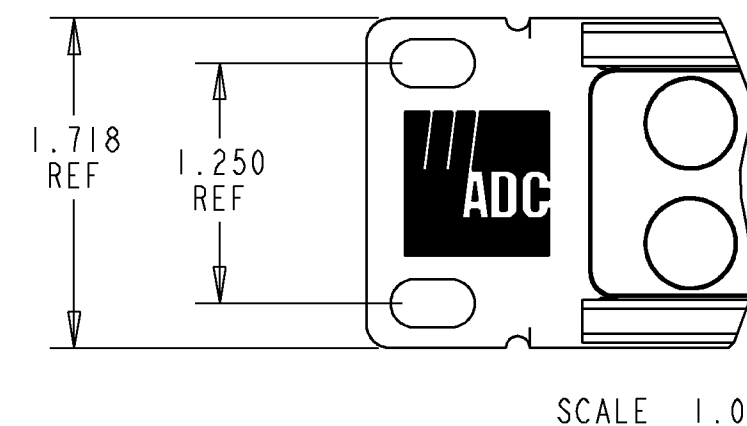
REV	MCO	DWN	DATE
Y	20206386	BBH	06-DEC-06
AA	20208012	BBH	07-DEC-06

1 RACK UNIT

1 ROW

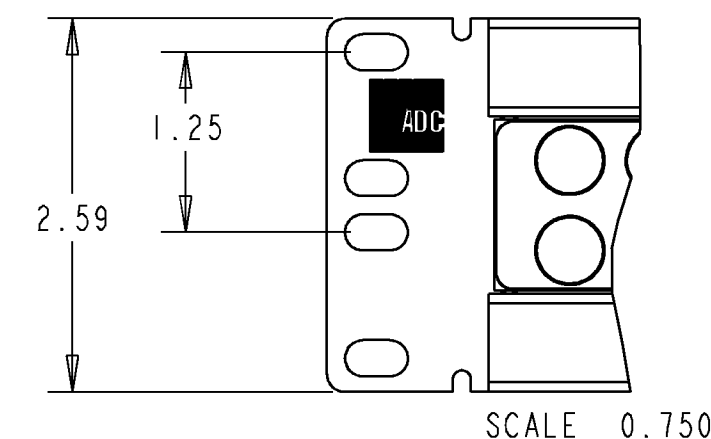


2 ROW



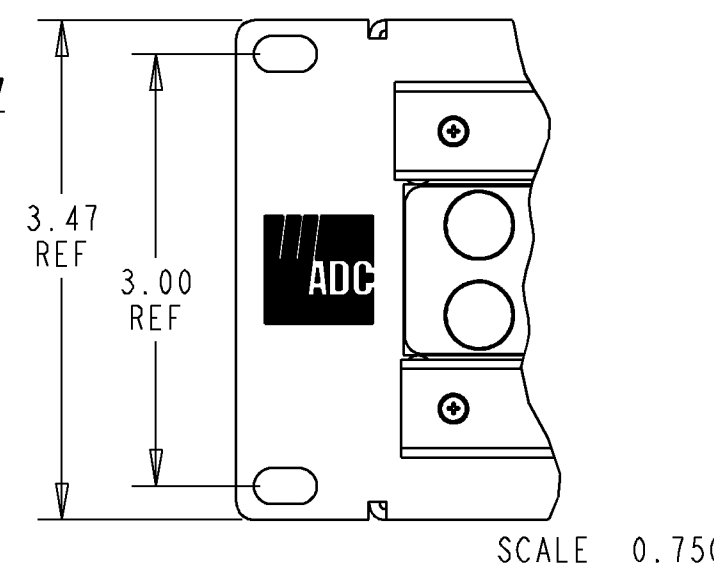
1.5 RACK UNIT

2 ROW

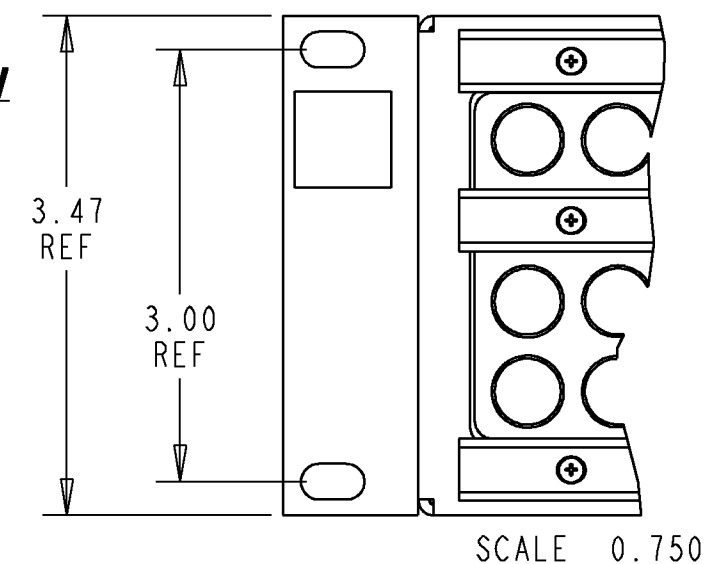


2 RACK UNIT

2 ROW



3 ROW



NOTES:

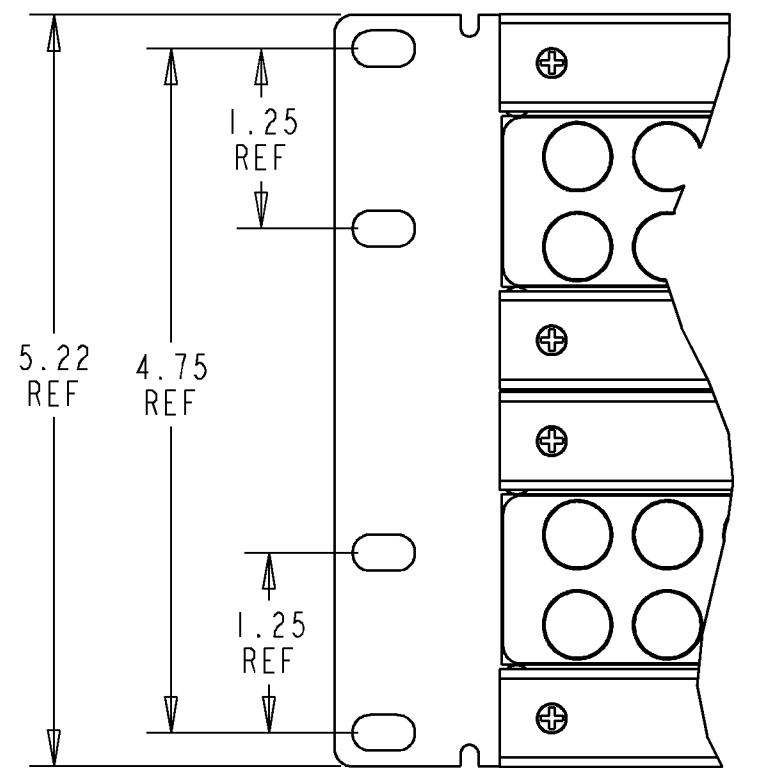
1. PLEASE NOTE: VIEWS ON THIS DRAWING ARE GENERIC REPRESENTATIONS. ACTUAL COMPONENTS USED MIGHT DIFFER FROM WHAT IS SHOWN.
2. THESE ITEMS MAY OR MAY NOT BE INCLUDED (SEE TABLES/SHEET 2 AND 3)
 - (2) HORIZONTAL DESIGNATION STRIPS
 - (2) DESIGNATION WINDOWS
3. FOR DESIGNATION STRIP KITS SEE CATALOG NUMBERS:
 - VP-DES-279-A
 - VP-DES-680-A
 - VP-DES-1400-A
 SOME KITS ARE DESIGNED TO STRADDLE ACROSS TWO PANELS FOR MORE DESIGNATION AREA.



INFORMATION ON THIS DOCUMENT IS PROPRIETARY TO ADC AND SHALL NOT BE USED, COPIED, REPRODUCED, OR DISCLOSED IN WHOLE OR IN PART WITHOUT WRITTEN CONSENT OF ADC.		TITLE PRO PATCH VIDEO PANEL ENHANCED, STD-SZ JACKS INSTALLATION DRAWING	
ALL DIMS AND TOLERANCES ARE INCHES UNLESS OTHERWISE SPECIFIED	.XX:±REF .XXX:±REF ANGULAR:±REF	C SIZE	DRAWING NUMBER 1258761
DO NOT SCALE DRAWING		ENGR: ANIS KHEMAKHEM DWN: R. DEMULLING	AA REV
		SHT. 1 OF 4	

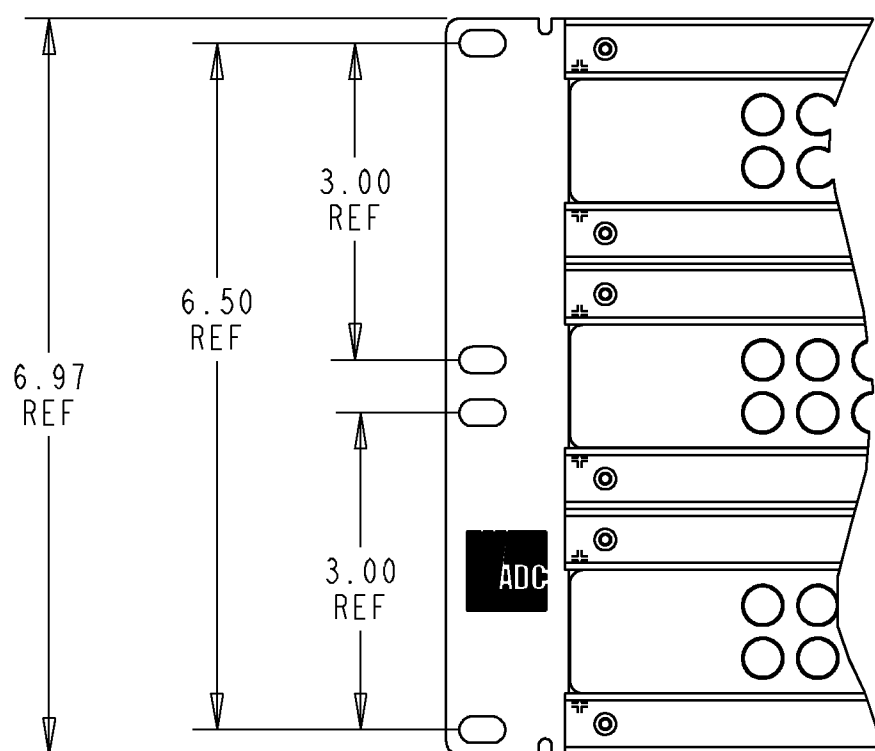
DIMENSIONS IN INCHES
THIRD ANGLE PROJECTION

3 RACK UNIT 4 ROW



SCALE 0.750

4 RACK UNIT 6 ROW



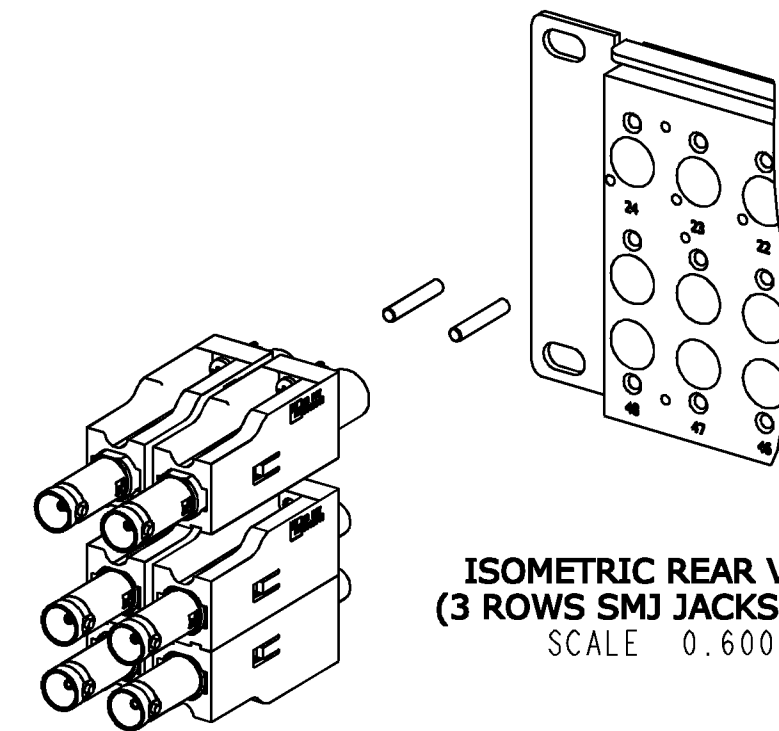
SCALE 0.550

1 RACK UNIT (1)

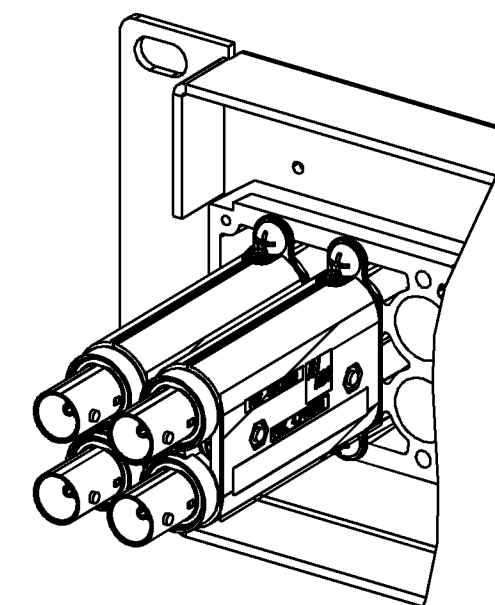
	CATALOG NUMBER	JACK TYPE	QTY OF JACKS	DESIGNATION STRIP	PANEL COLOR	INSERT COLOR
7	PPE1224-BK	NONE	N/A	YES	BLACK	BLACK
7	PPE1224		N/A	YES	GRAY	GRAY
7	PPE1224-BKND		N/A	NO	BLACK	BLACK
7	PPE1224-ND		N/A	NO	GRAY	GRAY
7	PPE1124		N/A	YES	GRAY	GRAY
7	PPE1226-BK		N/A	YES	BLACK	BLACK
7	PPE1226		N/A	YES	GRAY	GRAY
7	PPE1226-BKND		N/A	NO	BLACK	BLACK
7	PPE1226-ND		N/A	NO	GRAY	GRAY
	PPE1224-SVJ-BK		SVJ-2x	24	YES	BLACK
	PPE1224-SVJ	24		YES	GRAY	GRAY
	PPE1224-SVJ-BKND	24		NO	BLACK	BLACK
	PPE1224-SVJ-ND	24		NO	GRAY	GRAY
	PPE1226-SVJ-BK	26		YES	BLACK	BLACK
	PPE1226-SVJ	26		YES	GRAY	GRAY
	PPE1226-SVJ-BKND	26	NO	BLACK	BLACK	
	PPE1226-SVJ-ND	26	NO	GRAY	GRAY	
	PPE1224-SVJT-BK	SVJ-2Tx	24	YES	BLACK	BLACK
	PPE1224-SVJT		24	YES	GRAY	GRAY
	PPE1224-SVJT-BKND		24	NO	BLACK	BLACK
	PPE1224-SVJT-ND		24	NO	GRAY	GRAY
	PPE1226-SVJT-BK		26	YES	BLACK	BLACK
	PPE1226-SVJT		26	YES	GRAY	GRAY
	PPE1226-SVJT-BKND		26	NO	BLACK	BLACK
	PPE1226-SVJT-ND		26	NO	GRAY	GRAY

NOTES:

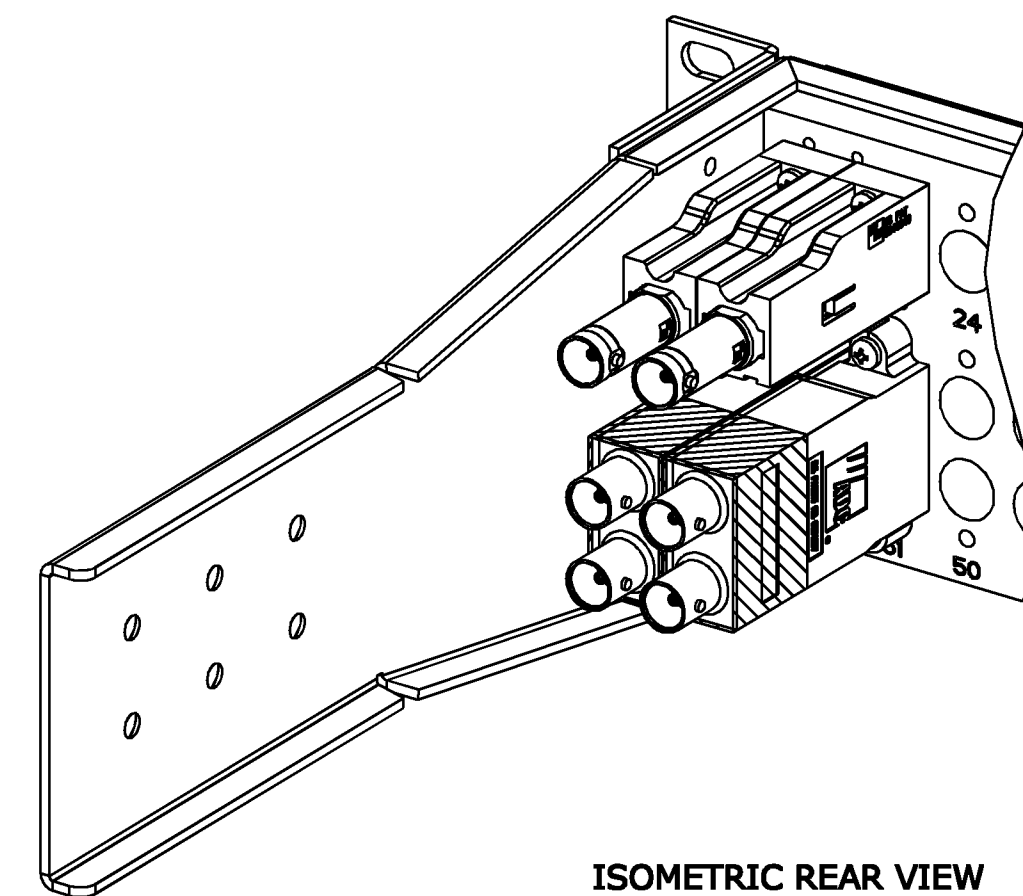
- 4 THIS UNIT IS LOADED AS SHOWN IN DETAIL "A". IN REMAINING OPENINGS ARE PLACED HOLE PLUGS.
12 CONNECTORS IN UPPER ROW
16 + 4 CONNECTORS IN THE LOWER ROW LEAVING THE POSITIONS 17, 18, 19 AND 20 WITHOUT CONNECTORS.
- 5 THIS UNIT IS LOADED AS SHOWN IN DETAIL "B". IN REMAINING OPENINGS ARE PLACED HOLE PLUGS, 6 + 2 + 8 CONNECTORS IN THE UPPER AND LOWER ROWS.
- 6 A COPY OF INSTALLATION DRAWING'S JACK IS INCLUDED WITH UNIT.
- 7 MOUNTING SCREW INCLUDED. MAY NOT BE NEEDED FOR SOME JACKS.



ISOMETRIC REAR VIEW (3 ROWS SMJ JACKS, 2RU) SCALE 0.600



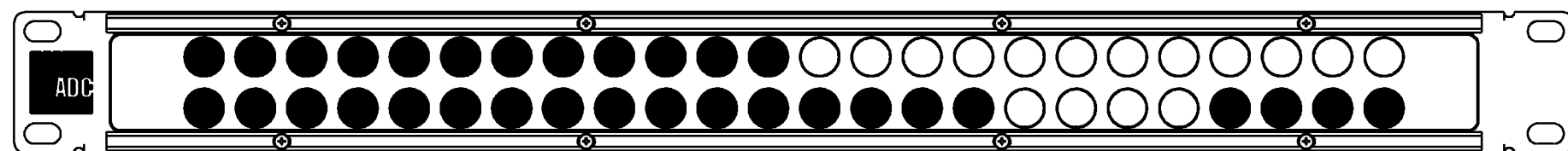
ISOMETRIC REAR VIEW (SHOWN N-JACKS, 2 RU) SCALE 0.750



ISOMETRIC REAR VIEW (SHOWN SVJ AND CJ2020N-75 JACKS 2 RU) SCALE 0.750

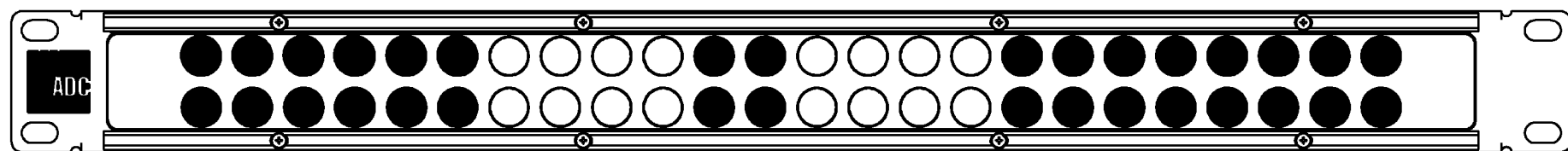
DETAIL "A"

SCALE 0.500



DETAIL "B"

SCALE 0.500



SYMBOLS

●	WITH JACK
○	WITHOUT JACK



INFORMATION ON THIS DOCUMENT IS PROPRIETARY TO ADC AND SHALL NOT BE USED, COPIED, REPRODUCED OR DISCLOSED IN WHOLE OR IN PART WITHOUT WRITTEN CONSENT OF ADC.		TITLE	PRO PATCH VIDEO PANEL ENHANCED, STD-SZ JACKS INSTALLATION DRAWING
ALL DIMS AND TOLERANCES ARE INCHES UNLESS OTHERWISE SPECIFIED	.XX:±REF .XXX:±REF ANGULAR:±REF	C SIZE	DRAWING NUMBER 1258761
DO NOT SCALE DRAWING	ENGR: ANIS KHEMAKHEM DWN: R. DEMULLING	AA REV	SHT. 2 OF 4

1 RACK UNIT (2)

CATALOG NUMBER	JACJ TYPE	QTY OF JACKS	DESIGNATION STRIP	PANEL COLOR	INSERT COLOR	
PPE1220-75N	SJ2000N-75	20	YES	GRAY	GRAY	
PPE1224-75N-BK		24	YES	BLACK	BLACK	
PPE1224-75N		24	YES	GRAY	GRAY	
PPE1224-75N-BKND		24	NO	BLACK	BLACK	
PPE1224-75N-ND		24	NO	GRAY	GRAY	
PPE1226-75N-BK		26	YES	BLACK	BLACK	
PPE1226-75N		26	YES	GRAY	GRAY	
PPE1226-75N-BKND		26	NO	BLACK	BLACK	
PPE1226-75N-ND		26	NO	GRAY	GRAY	
PPE1224-N-BK		SJ2000N	24	YES	BLACK	BLACK
PPE1224-N	24		YES	GRAY	GRAY	
PPE1224-N-BKND	24		NO	BLACK	BLACK	
PPE1224-N-ND	24		NO	GRAY	GRAY	
PPE1226-N-BK	26		YES	BLACK	BLACK	
PPE1226-N	26		YES	GRAY	GRAY	
PPE1226-N-BKND	26		NO	BLACK	BLACK	
PPE1226-N-ND	26		NO	GRAY	GRAY	
PPE1224-75G	SJ2000G-75		24	YES	GRAY	GRAY
PPE1224-75G-ND			24	NO	GRAY	GRAY
PPE1226-75G		26	YES	GRAY	GRAY	
PPE1226-75G-ND		26	NO	GRAY	GRAY	
PPE1224-G	SJ2000G	24	YES	GRAY	GRAY	
PPE1224-G-ND		24	NO	GRAY	GRAY	
PPE1226-G		26	YES	GRAY	GRAY	
PPE1226-G-ND		26	NO	GRAY	GRAY	
PPE1224-CJ48-BK	CJ2014N	48	YES	BLACK	BLACK	
PPE1224-CJ48		48	YES	GRAY	GRAY	
PPE1224-CJ48-BKND		48	NO	BLACK	BLACK	
PPE1224-CJ48-ND		48	NO	GRAY	GRAY	
PPE1126-CJ26		26	YES	GRAY	GRAY	
PPE1126-CJ26-BK		26	YES	BLACK	BLACK	
PPE1226-CJ52-BK		52	YES	BLACK	BLACK	
PPE1226-CJ52		52	YES	GRAY	GRAY	
PPE1226-CJ52-BKND		52	NO	BLACK	BLACK	
PPE1226-CJ52-ND		52	NO	GRAY	GRAY	
PPE1124-CJ24T	CJ2020N-75	24	YES	GRAY	GRAY	
PPE1224-CJ48T-BK		48	YES	BLACK	BLACK	
PPE1224-CJ48T		48	YES	GRAY	GRAY	
PPE1224-CJ48T-BKND		48	NO	BLACK	BLACK	
PPE1224-CJ48T-ND		48	NO	GRAY	GRAY	
PPE1226-CJ52T-BK		52	YES	BLACK	BLACK	
PPE1226-CJ52T		52	YES	GRAY	GRAY	
PPE1226-CJ52T-BKND		52	NO	BLACK	BLACK	
PPE1226-CJ52T-ND		52	NO	GRAY	GRAY	
PPE1224-CJ48TF-BK		CJ2020N-75F	48	YES	BLACK	BLACK
PPE1226-CJ52TF-BK	52		YES	BLACK	BLACK	
PPE1224-CJ32TF-BK	32		YES	BLACK	BLACK	
PPE1224-CJ32TF-2BK	32		YES	BLACK	BLACK	

2 RACK UNIT (1)

CATALOG NUMBER	JACK TYPE	QTY OF JACKS	DESIGNATION STRIP	PANEL COLOR	INSERT COLOR	
PPE2220	NONE	N/A	YES	BLACK	BLACK	
PPE2324		N/A	YES	GRAY	GRAY	
PPE2224-BK		N/A	YES	BLACK	BLACK	
PPE2224		N/A	YES	GRAY	GRAY	
PPE2224-BKND		N/A	NO	BLACK	BLACK	
PPE2224-ND		N/A	NO	GRAY	GRAY	
PPE2226-BK		N/A	YES	BLACK	BLACK	
PPE2226		N/A	YES	GRAY	GRAY	
PPE2226-BKND		N/A	NO	BLACK	BLACK	
PPE2226-ND		N/A	NO	GRAY	GRAY	
PPE2326		N/A	YES	GRAY	GRAY	
PPE2224-SVJ-BK		SVJ-2x	24	YES	BLACK	BLACK
PPE2224-SVJ			24	YES	GRAY	GRAY
PPE2224-SVJ-BKND			24	NO	BLACK	BLACK
PPE2224-SVJ-ND	24		NO	GRAY	GRAY	
PPE2226-SVJ-BK	26		YES	BLACK	BLACK	
PPE2226-SVJ	26		YES	GRAY	GRAY	
PPE2226-SVJ-BKND	26	NO	BLACK	BLACK		
PPE2226-SVJ-ND	26	NO	GRAY	GRAY		
PPE2224-SVJT-BK	SVJ-2Tx	24	YES	BLACK	BLACK	
PPE2224-SVJT		24	YES	GRAY	GRAY	
PPE2224-SVJT-BKND		24	NO	BLACK	BLACK	
PPE2224-SVJT-ND		24	NO	GRAY	GRAY	
PPE2226-SVJT		26	YES	GRAY	GRAY	
PPE2226-SVJT-BK		26	YES	GRAY	GRAY	
PPE2226-SVJT-BKND		26	NO	BLACK	BLACK	
PPE2226-SVJT-ND		26	NO	GRAY	GRAY	
PPE2326-SVJT-MONT		26	YES	GRAY	GRAY	
PPE2326-SVJT-MONT-BK		26	YES	BLACK	BLACK	
PPE2326-SVJT-MON-BK	26	YES	BLACK	BLACK		

1.5 RACK UNIT (1.5)

CATALOG NUMBER	JACK TYPE	QTY OF JACKS	DESIGNATION STRIP	PANEL COLOR	INSERT COLOR
PPE15226-SVJT-BK	SVJ-2Tx	26	YES	BLACK	BLACK
PPE15226-SVJ-BK	SVJ-2x	26	YES	BLACK	BLACK



INFORMATION ON THIS DOCUMENT IS PROPRIETARY TO ADC AND SHALL NOT BE USED, COPIED, REPRODUCED OR DISCLOSED IN WHOLE OR IN PART WITHOUT WRITTEN CONSENT OF ADC.	TITLE PRO PATCH VIDEO PANEL ENHANCED, STD-SZ JACKS INSTALLATION DRAWING
ALL DIMS AND TOLERANCES ARE INCHES UNLESS OTHERWISE SPECIFIED	DRAWING NUMBER 1258761
ENGR: ANIS KHEMAKHEM DWN: R. DEMULLING	AA REV SHT. 3 OF 4

DO NOT SCALE DRAWING

DIMENSIONS IN INCHES
THIRD ANGLE PROJECTION

2 RACK UNIT (2)

CATALOG NUMBER	JACK TYPE	QTY OF JACKS	DESIGNATION STRIP	PANEL COLOR	INSERT COLOR	
PPE2216-N	SJ2000N	16	YES	GRAY	GRAY	
PPE2220-N		20	YES	GRAY	GRAY	
PPE2224-N-BK		24	YES	BLACK	BLACK	
PPE2224-N		24	YES	GRAY	GRAY	
PPE2224-N-BKND		24	NO	BLACK	BLACK	
PPE2224-N-ND		24	NO	GRAY	GRAY	
PPE2226-N-BK		26	YES	BLACK	BLACK	
PPE2226-N		26	YES	GRAY	GRAY	
PPE2226-N-BKND		26	NO	BLACK	BLACK	
PPE2226-N-ND		26	NO	GRAY	GRAY	
PPE2326-N-MON		26	YES	GRAY	GRAY	
PPE2326-CJ78		CJ2014N	78	YES	GRAY	GRAY
PPE2224-CJ48-BK			48	YES	BLACK	BLACK
PPE2224-CJ48			48	YES	GRAY	GRAY
PPE2224-CJ48-BKND	48		NO	BLACK	BLACK	
PPE2224-CJ48-ND	48		NO	GRAY	GRAY	
PPE2226-CJ52-BK	52		YES	BLACK	BLACK	
PPE2226-CJ52	52		YES	GRAY	GRAY	
PPE2226-CJ52-BKND	52		NO	BLACK	BLACK	
PPE2226-CJ52-ND	52		NO	GRAY	GRAY	
PPE2224-CJ48T-BK	CJ2020N-75		48	YES	BLACK	BLACK
PPE2224-CJ48T			48	YES	GRAY	GRAY
PPE2224-CJ48T-BKND			48	NO	BLACK	BLACK
PPE2224-CJ48T-ND			48	NO	GRAY	GRAY
PPE2226-CJ52T-BK			52	YES	BLACK	BLACK
PPE2226-CJ52T		52	YES	GRAY	GRAY	
PPE2226-CJ52T-BKND		52	NO	BLACK	BLACK	
PPE2226-CJ52T-ND		52	NO	GRAY	GRAY	
PPE2326-CJ78T		78	YES	GRAY	GRAY	
6 PPE2216-CJ32TF		CJ2020N-75F	32	YES	GRAY	GRAY
6 PPE2220-CJ40TF			40	YES	GRAY	GRAY
6 PPE2224-CJ48TF-BK			48	YES	BLACK	BLACK
6 PPE2224-CJ48TF			48	YES	GRAY	GRAY
6 PPE2226-CJ52TF-BK		SJ2000N-75 CJ2020N-75	52	YES	BLACK	BLACK
PPE2324-75N-MONT	72		YES	GRAY	GRAY	
PPE2324-75N-MON	72	YES	GRAY	GRAY		
PPE2326-75N-MON	78	YES	GRAY	GRAY		
PPE2216-75N	SJ2000N-75	16	YES	GRAY	GRAY	
PPE2220-75N		20	YES	GRAY	GRAY	
PPE2224-75N-BK		24	YES	BLACK	BLACK	
PPE2224-75N		24	YES	GRAY	GRAY	
PPE2224-75N-BKND		24	NO	BLACK	BLACK	
PPE2224-75N-ND		24	NO	GRAY	GRAY	
PPE2226-75N-BK		26	YES	BLACK	BLACK	
PPE2226-75N		26	YES	GRAY	GRAY	
PPE2226-75N-BKND		26	NO	BLACK	BLACK	
PPE2226-75N-ND		26	NO	GRAY	GRAY	
PPE2216-75NF	SJ2000N-75F	16	YES	GRAY	GRAY	
PPE2220-75NF		20	YES	GRAY	GRAY	
PPE2224-75NF		24	YES	GRAY	GRAY	

3 RACK UNIT

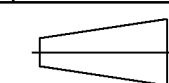
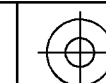
CATALOG NUMBER	JACK TYPE	QTY OF JACKS	DESIGNATION STRIP	PANEL COLOR	INSERT COLOR
PPE3426-SVJ	SVJ-2x	52	YES	GRAY	GRAY
PPE3426-SVJ-ND		52	NO	GRAY	GRAY
PPE3426-SVJT	SVJ-2TX	52	YES	GRAY	GRAY
PPE3426-SVJT-ND		52	NO	GRAY	GRAY
PPE3426-75N	SJ2000N-75	52	YES	GRAY	GRAY
PPE3426-75N-ND		52	NO	GRAY	GRAY
PPE3426-N	SJ2000N	52	YES	GRAY	GRAY
PPE3426-N-ND		52	NO	GRAY	GRAY
PPE3426-CJ104	CJ2014N	104	YES	GRAY	GRAY
PPE3426-CJ104-ND		104	NO	GRAY	GRAY
PPE3426-CJ52-N	CJ2014N/SJ2000N	52/26	YES	GRAY	GRAY
PPE3426-CJ52-75N	CJ2014N/SJ2000N-75	52/52	YES	GRAY	GRAY

4 RACK UNIT

CATALOG NUMBER	JACK TYPE	QTY OF JACKS	DESIGNATION STRIP	PANEL COLOR	INSERT COLOR
PPE4626-75N	SJ2000N-75	72	YES	GRAY	GRAY



<small>INFORMATION ON THIS DOCUMENT IS PROPRIETARY TO ADC AND SHALL NOT BE USED, COPIED, REPRODUCED, OR DISCLOSED IN WHOLE OR IN PART WITHOUT WRITTEN CONSENT OF ADC.</small>	<small>TITLE</small> PRO PATCH VIDEO PANEL ENHANCED, STD-SZ JACKS INSTALLATION DRAWING	
	<small>ALL DIMS AND TOLERANCES ARE INCHES UNLESS OTHERWISE SPECIFIED</small>	<small>XX:±REF</small> <small>XXX:±REF</small> <small>ANGULAR:±REF</small>
<small>DO NOT SCALE DRAWING</small>	<small>ENGR: ANIS KHEMAKHEM</small> <small>DWN: R. DEMULLING</small>	<small>DRAWING NUMBER</small> 1258761
<small>SHT. 4 OF 4</small>		<small>AA</small> <small>REV</small>



**DIMENSIONS IN INCHES
THIRD ANGLE PROJECTION**