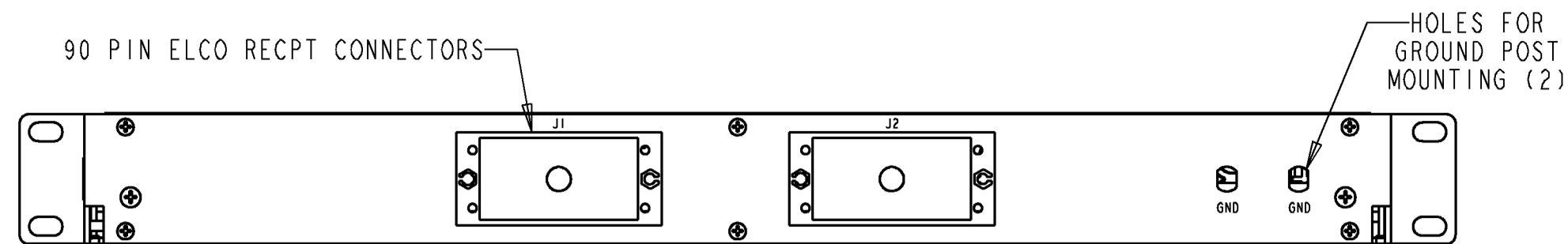
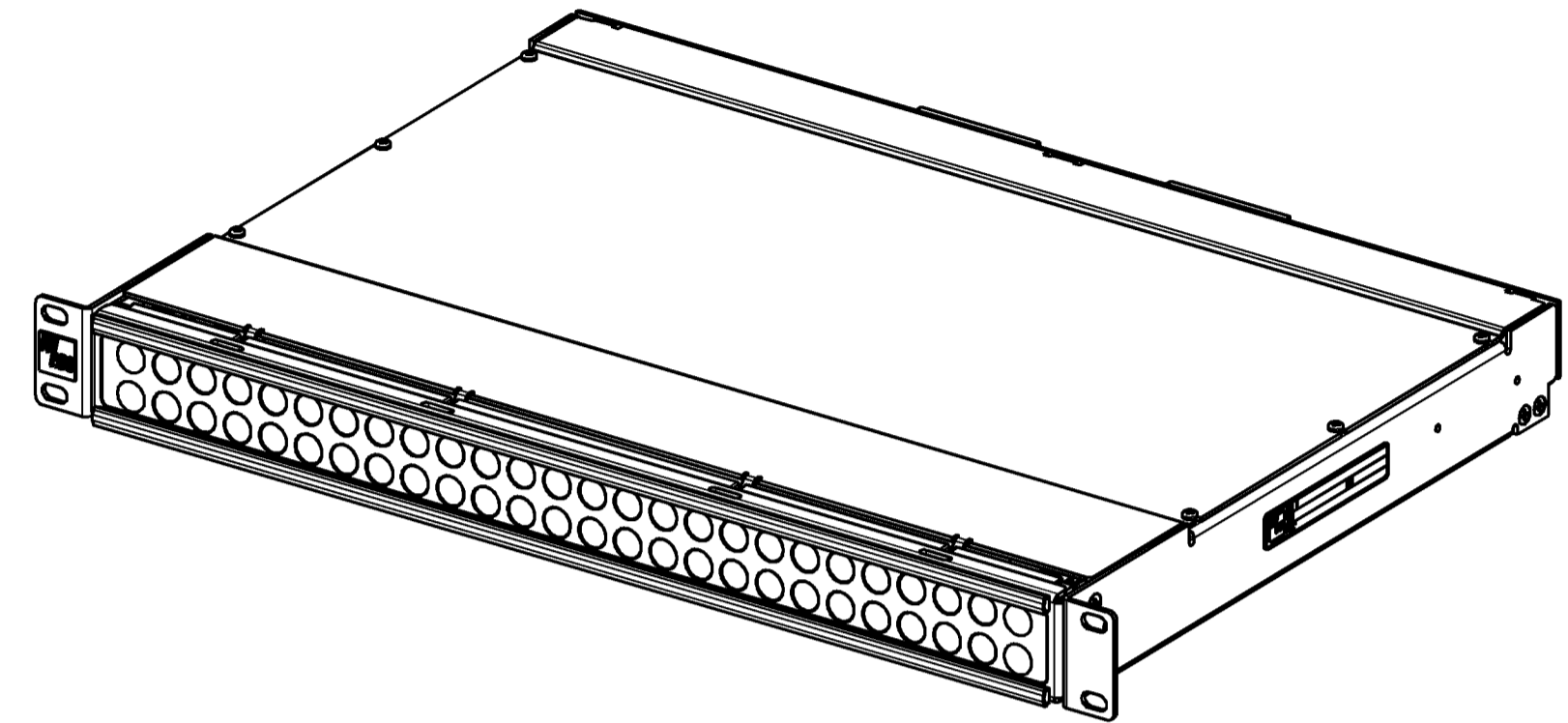


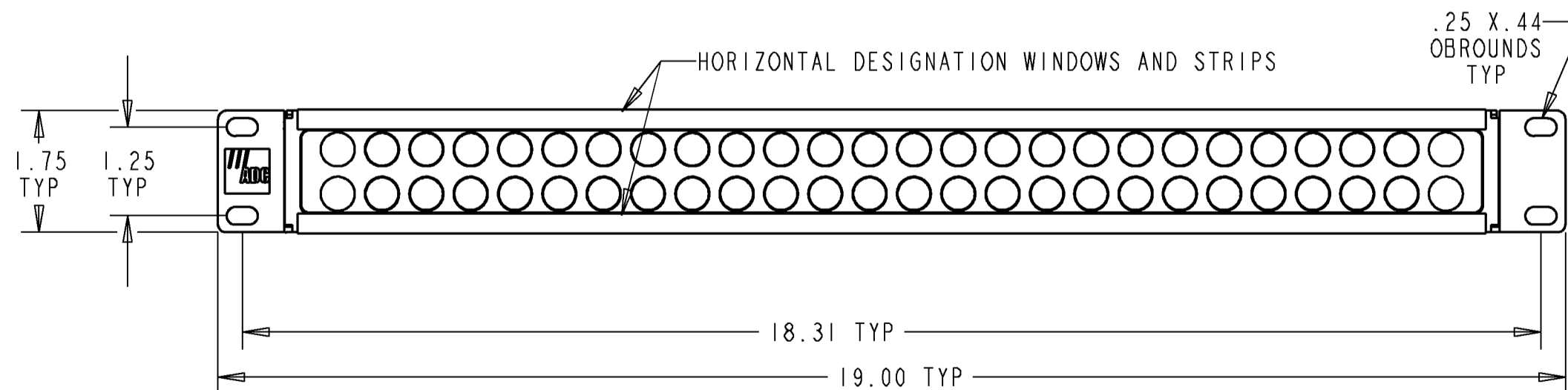
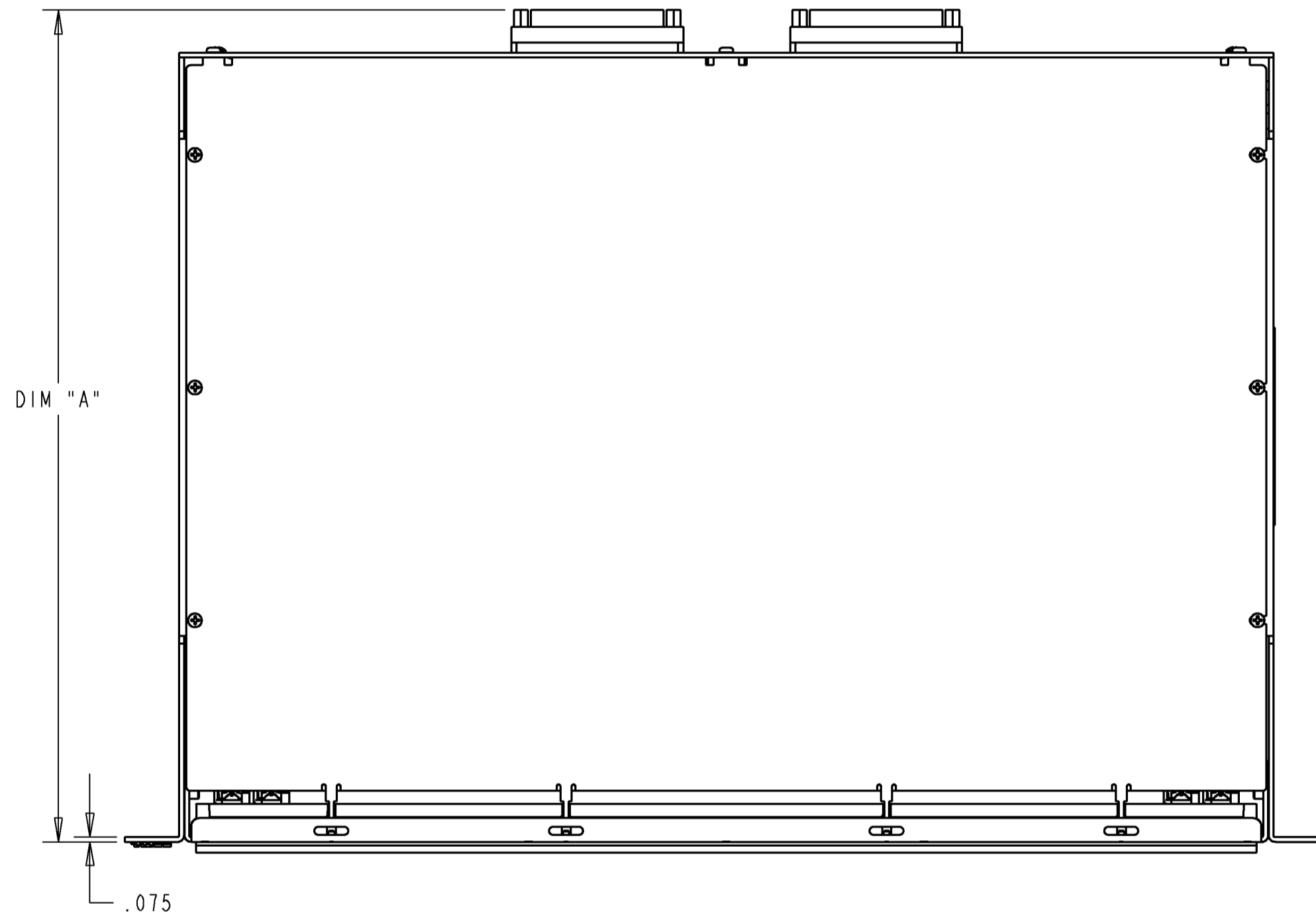
REV	ECO	DWN	DATE
A	20137737	RD	12-AUG-03



REAR VIEW 1
ROTATED 180°



SCALE 0.375 1



FRONT VIEW 1

NOTES:

- PLEASE NOTE: INDICATED VIEWS ARE GENERIC REPRESENTATIONS. SEE TABLE AND FIGURES FOR ACTUAL FRONT AND REAR VIEWS.
- INCLUDED WITH UNIT IS DRAINWIRE SLEEVING, INSTRUCTION SHEETS AND ONE COPY OF THIS DRAWING.
- UNIT IS WIRED RED TO TIP, BLACK TO RING AND CONTAINS A WIRING SERVICE LOOP TO ALLOW REMOVAL OF FRONT OR REAR PANELS 3" MIN.
- OPTIONAL COMMONING OF JACK SLEEVES IS POSSIBLE BY CONNECTING A WIRE TO THE SOLDER LUG ON EACH JACK AND CONNECTING IT TO A GROUND POST MOUNTED ON THE REAR PANEL. THIS IS A CUSTOMER OPTION AND NOT DONE BY ADC.
- USE RACK MOUNTING KIT CATALOG # SBK-1 FOR MOBILE APPLICATIONS.

PPA1-14MKII26ENS	FIGURE 1B	FIGURE 2A	FIGURE 3C	FIGURE 4B	13.13
PPA1-14MKII24EHN	FIGURE 1A	FIGURE 2A	FIGURE 3B	FIGURE 4A	13.13
PPA1-14MKII24ENN	FIGURE 1A	FIGURE 2A	FIGURE 3A	FIGURE 4A	13.13
CATALOG NUMBER	FRONT VIEW	REAR VIEW	SCHEMATIC	CONNECTION TABLE	DIM "A" (DEPTH)



INFORMATION ON THIS DOCUMENT IS PROPRIETARY TO ADC AND SHALL NOT BE USED, COPIED, REPRODUCED OR DISCLOSED IN WHOLE OR IN PART WITHOUT WRITTEN CONSENT OF ADC.

ALL DIMS AND TOLERANCES ARE INCHES UNLESS OTHERWISE SPECIFIED

DO NOT SCALE DRAWING

TITLE PRO PATCH AUDIO PANELS, 1 RU, LF/EDAC 90, BCST INSTALLATION DRAWING

DRAWING NUMBER 1261682

ENGR: B. MUSOLF
DWN: R. DEMULLING

SHT. 1 OF 3

DIMENSIONS IN INCHES
THIRD ANGLE PROJECTION

A

B

C

D

FRONT VIEWS

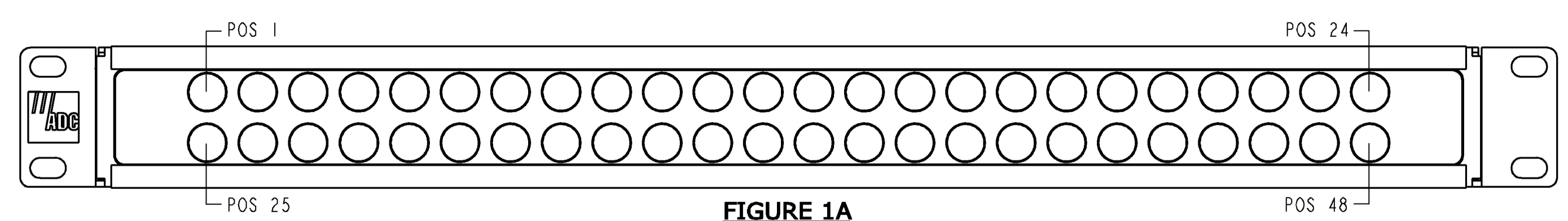


FIGURE 1A
24 X 2

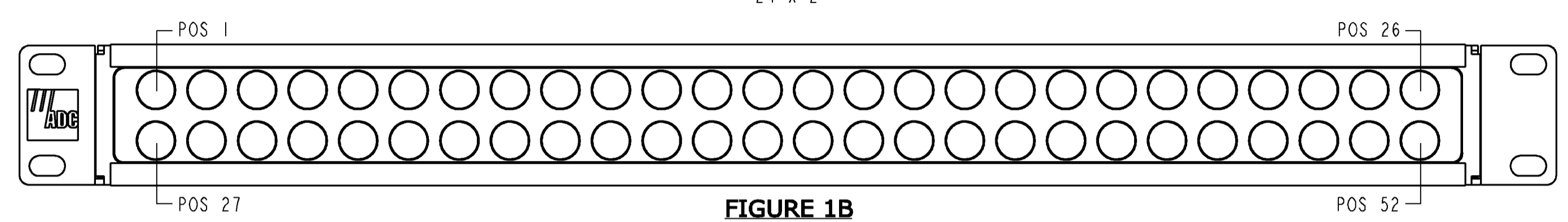


FIGURE 1B
26 X 2

REAR VIEW

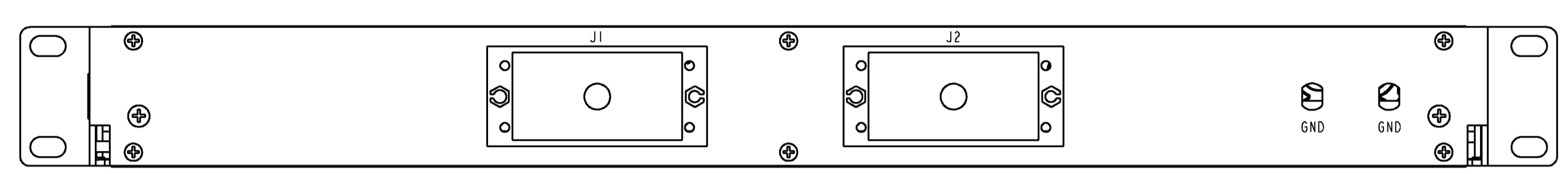
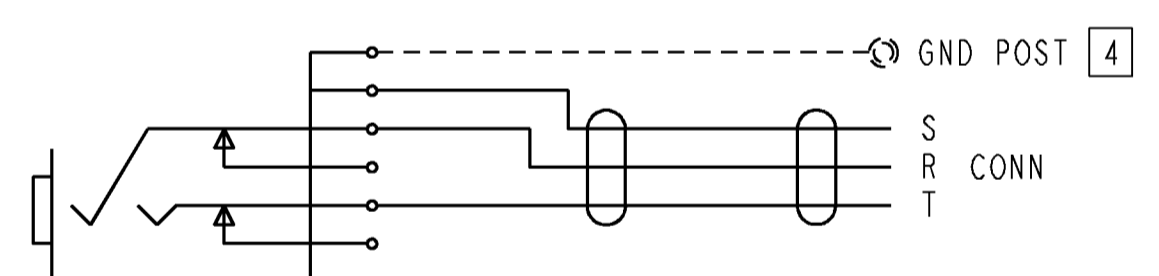
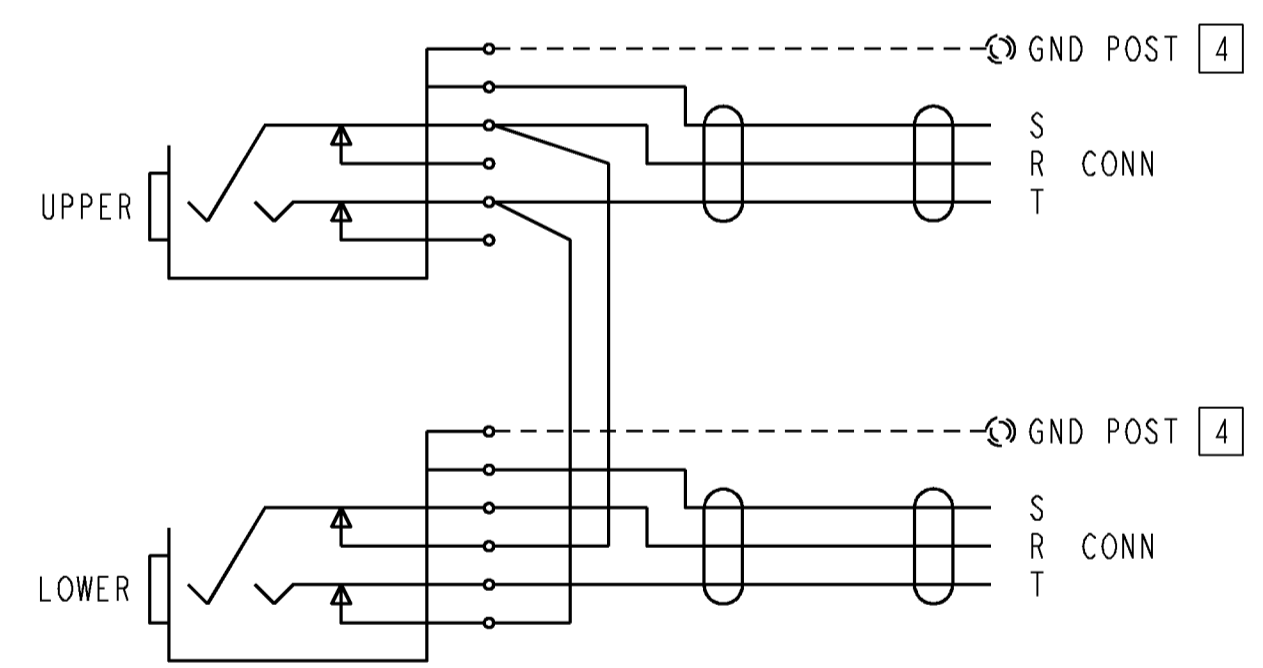


FIGURE 2A
EDAC X 2



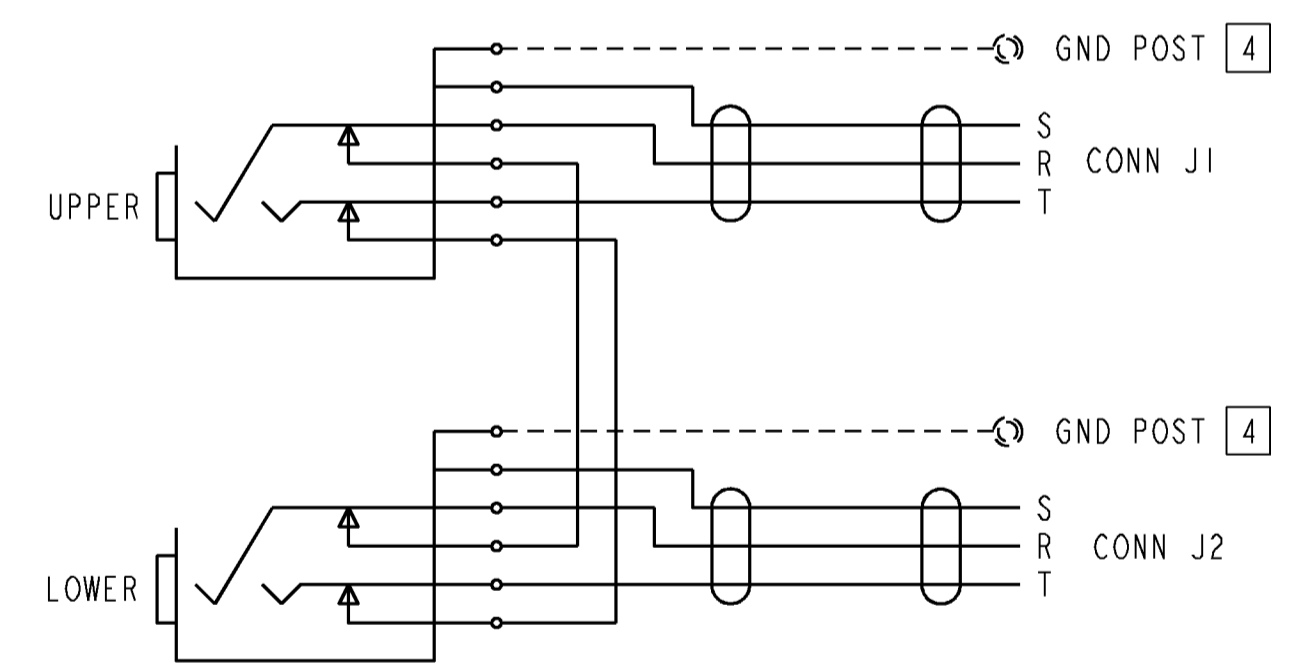
REFERENCE SCHEMATIC
TYP ALL CKTS

FIGURE 3A
NON-NORMALLED



REFERENCE SCHEMATIC
TYP ALL CKTS

FIGURE 3B
HALF-NORMALLED



REFERENCE SCHEMATIC
TYP ALL CKTS

FIGURE 3C
NORMALS STRAPPED



INFORMATION ON THIS DOCUMENT IS PROPRIETARY TO ADC AND SHALL NOT BE USED, COPIED, REPRODUCED OR DISCLOSED IN WHOLE OR IN PART WITHOUT WRITTEN CONSENT OF ADC.

TITLE PRO PATCH AUDIO PANELS,
1 RU, LF/EDAC 90, BCST
INSTALLATION DRAWING

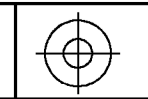
ALL DIMS AND TOLERANCES .XX:±N/A
ARE INCHES UNLESS .XXX:±N/A
OTHERWISE SPECIFIED ANGULAR:±N/A

C DRAWING NUMBER 1261682 A
SIZE REV

DO NOT SCALE DRAWING

ENGR: B. MUSOLF
DWN: R. DEMULLING

SHT. 2 OF 3



**DIMENSIONS IN INCHES
THIRD ANGLE PROJECTION**

A

B

C

1

2

3

4

CONNECTION TABLE

CONN J1			
JACK #	T	R	S
1	A	H	R
2	B	J	S
3	C	K	T
4	D	L	U
5	E	M	V
6	F	N	W
7	X	AE	AM
8	Y	AF	AN
9	Z	AH	AP
10	AA	AJ	AR
11	AB	AK	AS
12	AC	AL	AT

CONN J1			
JACK #	T	R	S
13	BJ	BS	BY
14	BK	BT	BZ
15	BL	BU	CA
16	BM	BV	CB
17	BN	BW	CC
18	BP	BX	CD
19	CF	CN	CW
20	CH	CP	CX
21	CJ	CR	CY
22	CK	CS	CZ
23	CL	CT	DA
24	CM	CU	DB

CONN J2			
JACK #	T	R	S
25	A	H	R
26	B	J	S
27	C	K	T
28	D	L	U
29	E	M	V
30	F	N	W
31	X	AE	AM
32	Y	AF	AN
33	Z	AH	AP
34	AA	AJ	AR
35	AB	AK	AS
36	AC	AL	AT

CONN J2			
JACK #	T	R	S
37	BJ	BS	BY
38	BK	BT	BZ
39	BL	BU	CA
40	BM	BV	CB
41	BN	BW	CC
42	BP	BX	CD
43	CF	CN	CW
44	CH	CP	CX
45	CJ	CR	CY
46	CK	CS	CZ
47	CL	CT	DA
48	CM	CU	DB

FIGURE 4A
CONNECTION TABLE

CONNECTION TABLES

CONN J1			
JACK #	T	R	S
1	A	H	R
2	B	J	S
3	C	K	T
4	D	L	U
5	E	M	V
6	F	N	W
7	X	AE	AM
8	Y	AF	AN
9	Z	AH	AP
10	AA	AJ	AR
11	AB	AK	AS
12	AC	AL	AT
13	BJ	BS	BY

CONN J1			
JACK #	T	R	S
14	BK	BT	BZ
15	BL	BU	CA
16	BM	BV	CB
17	BN	BW	CC
18	BP	BX	CD
19	CF	CN	CW
20	CH	CP	CX
21	CJ	CR	CY
22	CK	CS	CZ
23	CL	CT	DA
24	CM	CU	DB
25	AV	AZ	BD
26	AW	BA	BE

CONN J2			
JACK #	T	R	S
27	A	H	R
28	B	J	S
29	C	K	T
30	D	L	U
31	E	M	V
32	F	N	W
33	X	AE	AM
34	Y	AF	AN
35	Z	AH	AP
36	AA	AJ	AR
37	AB	AK	AS
38	AC	AL	AT
39	BJ	BS	BY

CONN J2			
JACK #	T	R	S
40	BK	BT	BZ
41	BL	BU	CA
42	BM	BV	CB
43	BN	BW	CC
44	BP	BX	CD
45	CF	CN	CW
46	CH	CP	CX
47	CJ	CR	CY
48	CK	CS	CZ
49	CL	CT	DA
50	CM	CU	DB
51	AV	AZ	BD
52	AW	BA	BE

FIGURE 4B
CONNECTION TABLE



INFORMATION ON THIS DOCUMENT IS PROPRIETARY TO ADC AND SHALL NOT BE USED, COPIED, REPRODUCED OR DISCLOSED IN WHOLE OR IN PART WITHOUT WRITTEN CONSENT OF ADC.	TITLE PRO PATCH AUDIO PANELS, 1 RU, LF/EDAC 90, BCST INSTALLATION DRAWING	DRAWING NUMBER 1261682
ALL DIMS AND TOLERANCES ARE INCHES UNLESS OTHERWISE SPECIFIED	.XX:±N/A .XXX:±N/A ANGULAR:±N/A	C SIZE
DO NOT SCALE DRAWING	ENGR: B. MUSOLF DWN: R. DEMULLING	SHT. 3 OF 3

**DIMENSIONS IN INCHES
THIRD ANGLE PROJECTION**